

# INSTALLATION INSTRUCTIONS ADJUSTABLE WALL PLENUM

For Use With Vert-I-Pak B-Series Units

**NOTE:** These instructions apply to Vert-I-Pak B Series wall plenum installations only. Refer to Chassis Installation/Operation Manual for additional information.

Please read these instructions completely  
before attempting installation.

**ADJUSTABLE  
WALL PLENUM  
MODELS  
VPBWP6-8  
VPBWP6-14**

**Friedrich®**



**VERY IMPORTANT!**

**YOUR WALL PLENUM WILL WORK ONLY IF INSTALLED CORRECTLY. TAKE NOTICE TO INSTALL IT IN THE CORRECT ORIENTATION AS SHOWN IN THE ILLUSTRATIONS.**

### **Installation Instructions:**

1. Refer to Figure 1 for plenum outside dimensions and for minimum and maximum extension depths. Ensure that the plenum is correct for the unit and wall depth.
2. Make the rough-in cut out in accordance with Figure 2.
3. Insert the plenum into the opening and adjust it to the required depth.
4. Attach the plenum to the wall using screws (field supplied) through the sides of the plenum only.
5. Caulk all seams of the plenum to ensure against the possibility of water leaks.

**NOTE:** It is the installer's responsibility to ensure that the proper plenum is used and that it is installed correctly. Caulking of the outside of the plenum and all seams is required to prevent water leaks.

**Figure 1**

## **PLENUM DIMENSIONS VPBWP6**

*(Fits 5 ton B-Series Units)*

Minimum and Maximum Wall Thicknesses		
MODEL	MAX.	MIN.
VPBWP6-14	14.00	8.00
VPBWP6-8	8.00	4.00

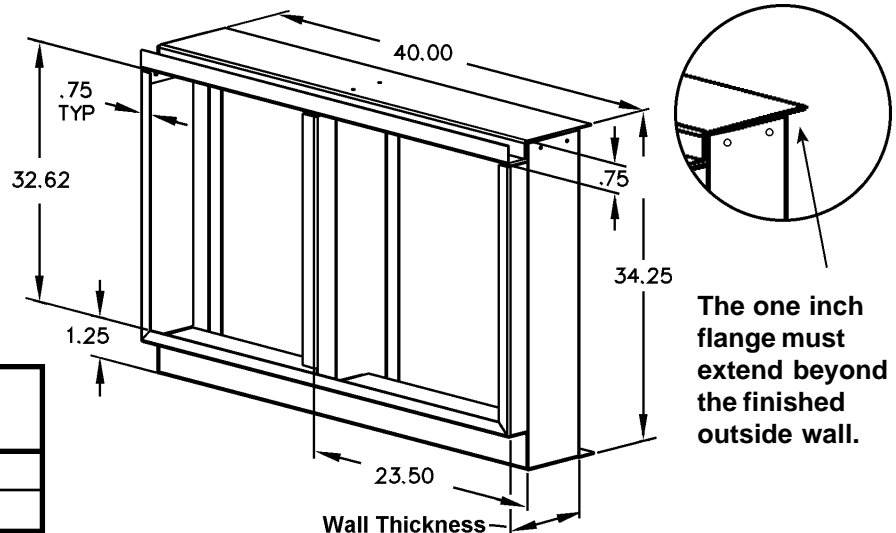
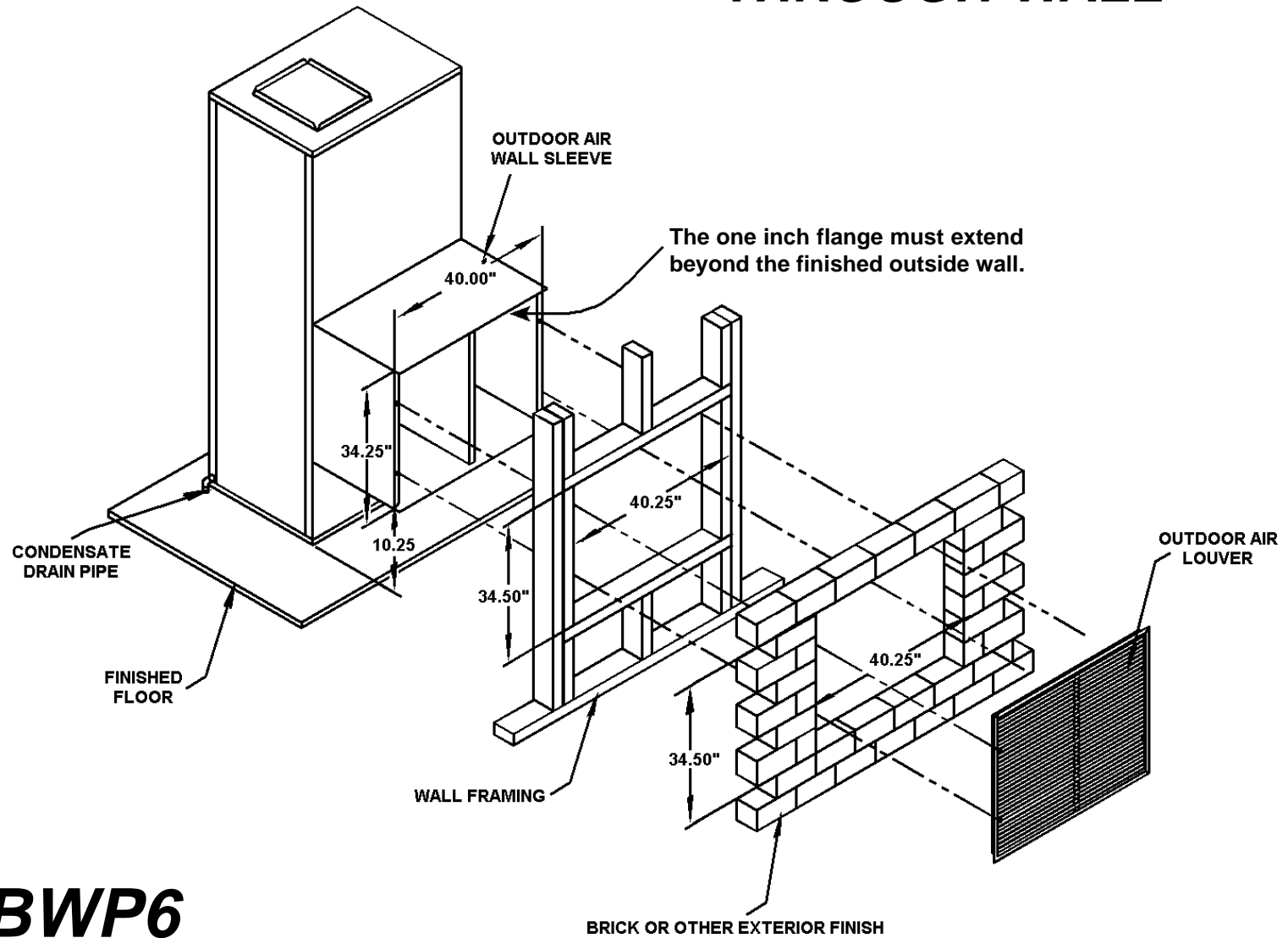


Figure 2

# TYPICAL INSTALLATION THROUGH-WALL



## VPBWP6